

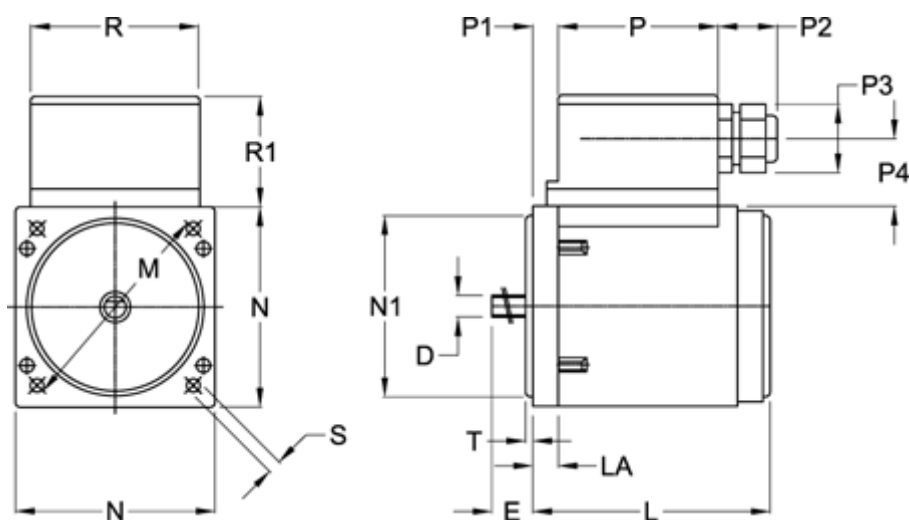
Data Sheet



Article number: 7210900403461

Description: Induction Motor 9IN40P4CT 40W term box
1300rpm 1x220-240V 50HZ pinion shaft

Measures



D Diameter = 9.63	Number of teeth = 12	S = 4xØ6,5
E = 18	P = 53.5	T = 2
L = 103	P1 = 4	Weight (kg) = 2.7
LA = 6.5	P2 = 25	
M Diameter = 104	P3 = 27	
Module = 0.6	P4 = 27.5	
N = 90	R = 55	
N1 Diameter = 83	R1 = 45.5	